

FEED AND BIOFUEL
FILTER
TYPE EFF82WB

Filter of optimum design for efficient dust separation at low operating cost. Filter type EFF-WB is used for removal of dry dust, especially in large quantities, abrasive dust, or dust with low rates of fall. The product range consists of a fully automatic, continuously operating bag filter cleaned by compressed air and built in series, containing from 10 to

260 bags measuring 1,200 to 4,800 mm in length. Filter areas range from 4 to 470 m².

By combining the best, tested components with newly developed cleaning nozzles providing optimum flow, a hitherto unseen low energy consumption has been achieved for compressed air cleaning of filter bags.

The EFF filter is designed as insertable, cased or free-standing filters with cone or scraper bottom.

COMPRESSED AIR CLEANING OF FILTER BAGS

Optimum adjustment of cleaning pressure and -cycles to every specific job ensures efficient dust separation, low emissions, and long filter bag life.

ANDRITZ

ENGINEERED SUCCESS

FILTER MEDIA

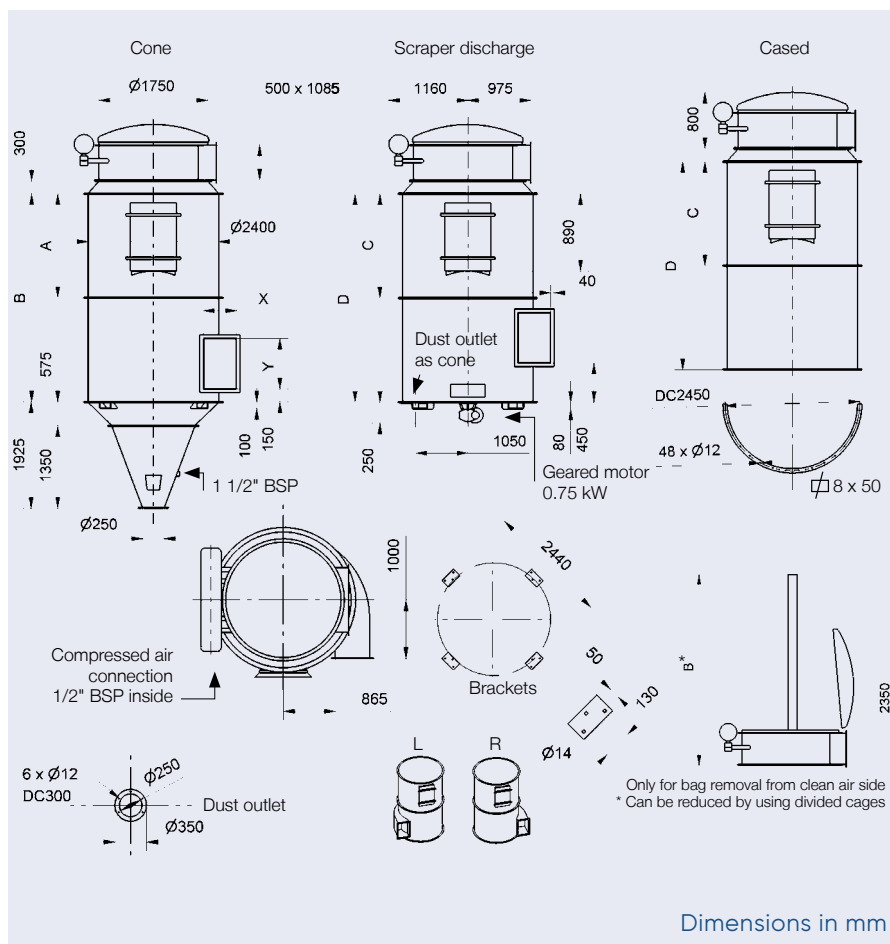
Top-quality filter media selected for specific applications based on requirements relating to service life, emissions, differential pressure, and so on.

FILTER BAG CHANGING

The filter bags can be changed either from the clean/the dusty air side.

ACCESSORIES AND SPECIAL EQUIPMENT

- Electronic controls with advanced functions and energy-saving Δp operation
- Emission metering equipment
- Rotary valves
- Manufactured in alternative steel qualities and with alternative surface treatment
- Platforms, ladders, supports, dust containers
- Insulation, heating
- Designed for high temperature and underpressure
- Explosion protection documented acc. to EN14491



TECHNICAL DATA

Filter Type	EFF	Filter area m ²	Air flow m ³ /h	Dimensions mm				Compressed air NI/min *	Weight kg			
				A	B	C	D		Hopper	Total sep.	Cased	Insertable
82/1800		56	10100		1500		1800	140	1380	1480	995	520
82/2400		74	13400		2100		2400	170	1545	1645	1160	580
82/3000		93	16700	1200	2700	1500	3000	170	1770	1870	1370	635
82/3600		111	20100	1500	3300	1800	3600	170	2010	2110	1530	690
82/4200		130	23400	1800	3900	1800	4200	220	2190	2290	1695	750

* at 180 sec. cycle

INLET DIMENSIONS

Air volume [m ³ /h]	X	Y
4400 - 8000	335	460
7700 - 14000	460	585
11000 - 20000	460	835
20000 - 36000	710	960

ANDRITZ Feed and Biofuel A/S

andritz-fb.dk@andritz.com

p: +45 72 160 300 / andritz.com/ft



All data, information, statements, photographs and graphic illustrations in this leaflet are without any obligation and raise no liabilities to or form part of any sales contracts of ANDRITZ AG or any affiliates for equipment and/or systems referred to herein. © ANDRITZ AG 2021. All rights reserved. No part of this copyrighted work may be reproduced, modified or distributed in any form or by any means, or stored in any database or retrieval system, without the prior written permission of ANDRITZ AG or its affiliates. Due to legal requirements, we must inform you that ANDRITZ AG processes your data for the purposes informing you about the ANDRITZ GROUP and its activities. Find out more details about our data privacy declaration and your rights under the data protection legislation on our website: andritz.com/privacy. ANDRITZ AG, Stattegger Strasse 18, 8045 Graz, Austria.



1120
1597 GB