



FEED AND BIOFUEL

# BEST ACTIVATION OF NATURAL BINDERS

SHANGHAI CONDITIONER TYPE SCM AND SDDC

**ANDRITZ**

ENGINEERED SUCCESS

# Best activation of natural binders

ANDRITZ has developed distinctive conditioner models designed to provide the best preparation of raw material prior to entering the pelleting or extrusion process. Conditioning is the most effective way of achieving excellent pellet quality. Using just the right combination of heat, moisture, and time, conditioning activates the naturally occurring binding components in plant materials and makes pelleting and extrusion easier and more efficient.

## SCM CONDITIONER

The ANDRITZ SCM conditioner, manufactured in stainless steel, is characterized by a compact structure, low energy consumption, and a long working life. The machine adopts different structures for different kinds of feed, especially for shrimp feed. Extended conditioners and jacketed conditioners are optional, which helps to meet the different requirements, such as longer retention time, higher temperature, or both.

SCM conditioner



## SDDC CONDITIONER

The ANDRITZ double-shaft conditioner is well suited for various kinds of materials. All parts coming in contact with feed are made of stainless steel for corrosion resistance and feed safety. It is equipped with two large-volume barrels for higher liquid addition as well bearings that are internationally recognized for their durability. A homogenous mix is achieved quickly and efficiently, thanks to the differential speed of the dual shafts.

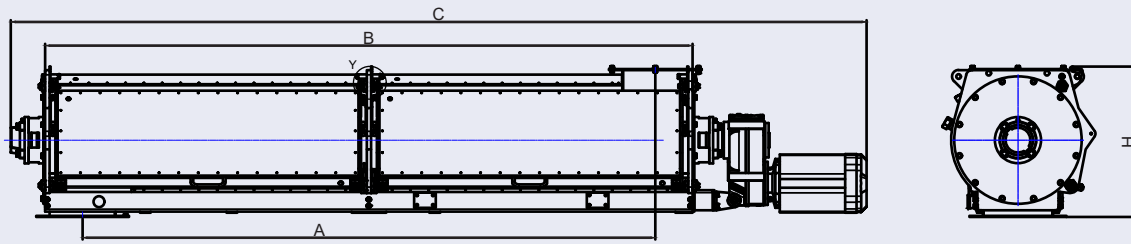
SDDC conditioner



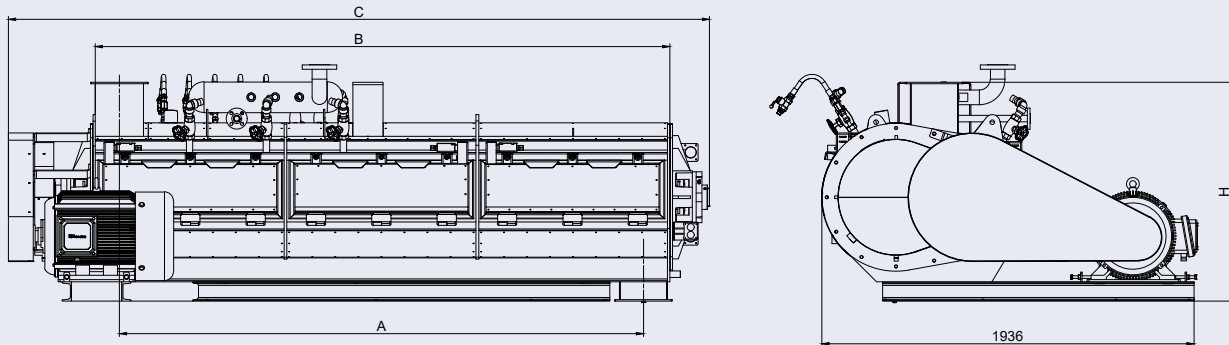
## SCM CONDITIONER

Characterized by compact structure, low energy consumption and long working life.

SCM conditioner



SDDC conditioner



## TECHNICAL SPECIFICATIONS

Model	Transmission	Dimensions	Motor power	Inlet size	Outlet size	Shaft speed
		mm	kW/HP	mm	mm	rpm
SCM300	Gearmotor	Ø400x2500	7.5/ 10.2	260x200	260x200	400
SCM400	Gearmotor	Ø400x3000	11/ 14.6	260x200	260x200	400
SCM500	Gearmotor	Ø500x2500	11/ 14.6	320x300	320x300	250
SCM600	Gearmotor	Ø500x3000	11/ 14.6	320x300	320x300	250
SCMB600	V type belt open gear	Ø490x2620mm	11/ 14.6	324x324	455x490	400
SDDC680	V Type Belt Open gear	Ø660/Ø520 x3000	22/29.5	260x260	194x400	140/280

## DIMENSION SIZE (MM)

Model	H	A	B	C
SCM300	615	2254	2500	3422
SCM400	615	2754	3000	3963
SCM500	700	2154	2500	3463
SCM600	700	2654	3000	3963
SCMB600	1106	2227	2690	3016
SDDC680	1138	2726	3000	3648

Optimum conditioning results in the desired activation of natural binders by using heat, moisture and time.



## GLOBAL SUPPLIER – LOCAL PRESENCE

With sales, service, engineering, manufacturing and production sites located all around the world, ANDRITZ Feed and Biofuel is truly a global organization with a local presence. ANDRITZ is vital to ensuring a reliable global supply of aqua feed, animal feed, pet food, and biofuel. With full process lines accounting for half the world's production of aqua feed and biomass alone, we continuously support leading producers in achieving the highest levels in safety, quality, and control from feedstock to final product.

How can we help grow your business?

### ANDRITZ Feed and Biofuel A/S

Glentevej 5-7  
6705 Esbjerg, Denmark  
p: +45 72 160 300  
andritz-fb.dk@andritz.com

### ANDRITZ (Shanghai) Equipment & Engineering Co., LTD

No.2288, Rongle East Road, Songjiang,  
201613, Shanghai, P.R.China  
p: +86 21 57745781  
andritz-fb.cn@andritz.com

#### AUSTRALIA

p: +61 3 8773 4888  
andritz-fb.au@andritz.com

#### CHINA

p: +86 21 5774 5781  
andritz-fb.cn@andritz.com

#### ITALY

p: +39 (0445) 575 695  
andritz-fb.it@andritz.com

#### TURKEY

p: +90 232 570 38 00  
andritz-fb.tr@andritz.com

#### BANGLADESH

p: +880 22 2226 4800  
andritz-fb.bd@andritz.com

#### DUBAI

p: +971 4 299 5555  
andritz-fb.uae@andritz.com

#### MEXICO

p: +52 443 323 1530 ext 364  
andritz-fb.mx@andritz.com

#### UK

p: +44 1482 825119  
andritz-fb.uk@andritz.com

#### BRAZIL

p: +55 47 3387 9146  
andritz-fb.br@andritz.com

#### FRANCE

p: +33 24 75 06 364  
andritz-fb.fr@andritz.com

#### NETHERLANDS

p: +31 40 2627777  
andritz-fb.nl@andritz.com

#### USA

p: +1 570 546 1253  
andritz-fb.us@andritz.com

#### CANADA

p: +1 519 676 7057  
anbosales@andritz.com

#### GERMANY

p: +49 2104 9197 0  
andritz-fb.de@andritz.com

#### POLAND

p: +48 60 906 1037  
andritz-fb.pl@andritz.com

#### VIETNAM

p: +84 8 6253 9434  
andritz-fb.vi@andritz.com

#### CHILE

p: +56 2 24624608  
andritz-fb.cl@andritz.com

#### INDIA

p: +91 87544 15287  
andritz-fb.india@andritz.com

#### SOUTH AFRICA

p: +27 82 781 0808  
andritz-fb.za@andritz.com

[ANDRITZ.COM/FT](https://www.andritz.com/ft)

JOIN US ON SOCIAL MEDIA



All data, information, statements, photographs and graphic illustrations in this leaflet are without any obligation and raise no liabilities to or form part of any sales contracts of ANDRITZ AG or any affiliates for equipment and/or systems referred to herein. © ANDRITZ AG 2021. All rights reserved. No part of this copyrighted work may be reproduced, modified or distributed in any form or by any means, or stored in any database or retrieval system, without the prior written permission of ANDRITZ AG or its affiliates. Due to legal requirements, we must inform you that ANDRITZ AG processes your data for the purposes informing you about the ANDRITZ GROUP and its activities. Find out more details about our data privacy declaration and your rights under the data protection legislation on our website: [andritz.com/privacy](https://www.andritz.com/privacy). ANDRITZ AG, Stattegger Strasse 18, 8045 Graz, Austria.



3013 GB